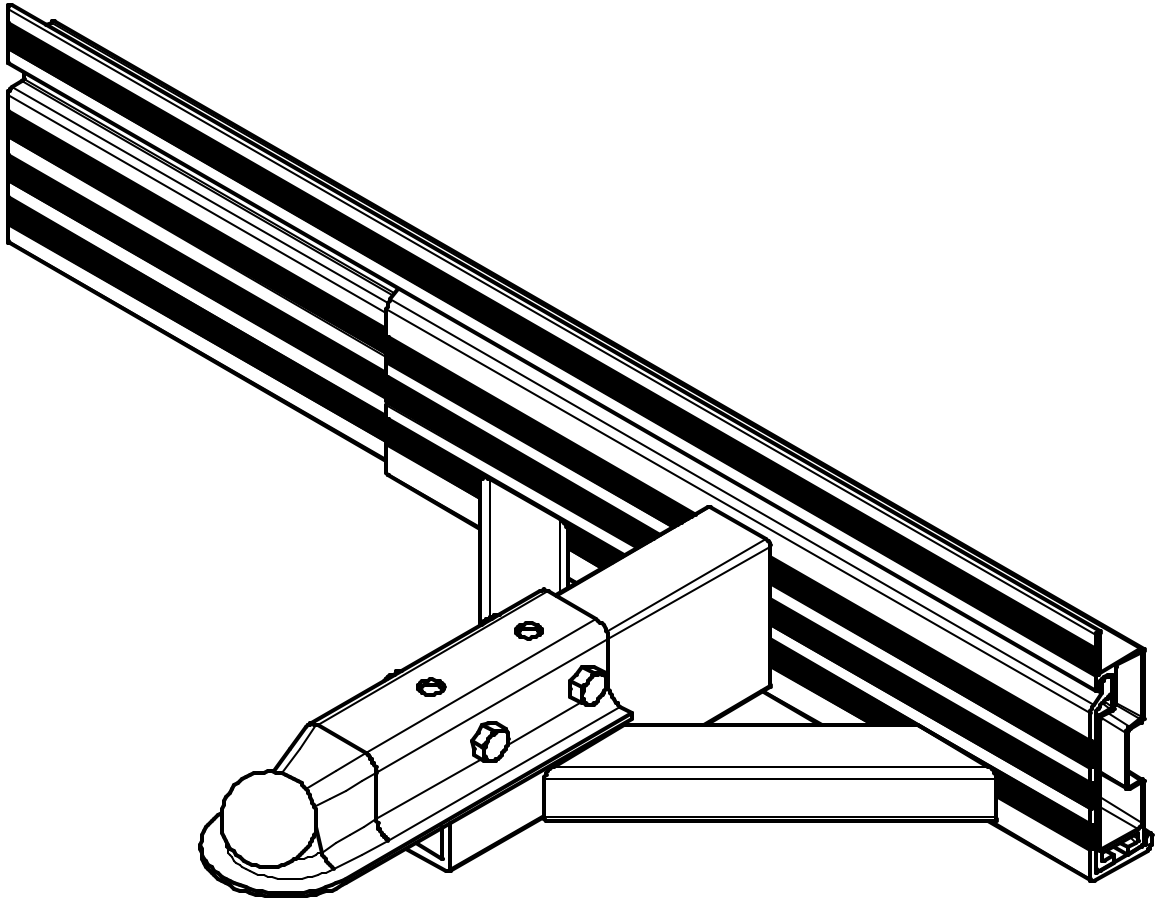
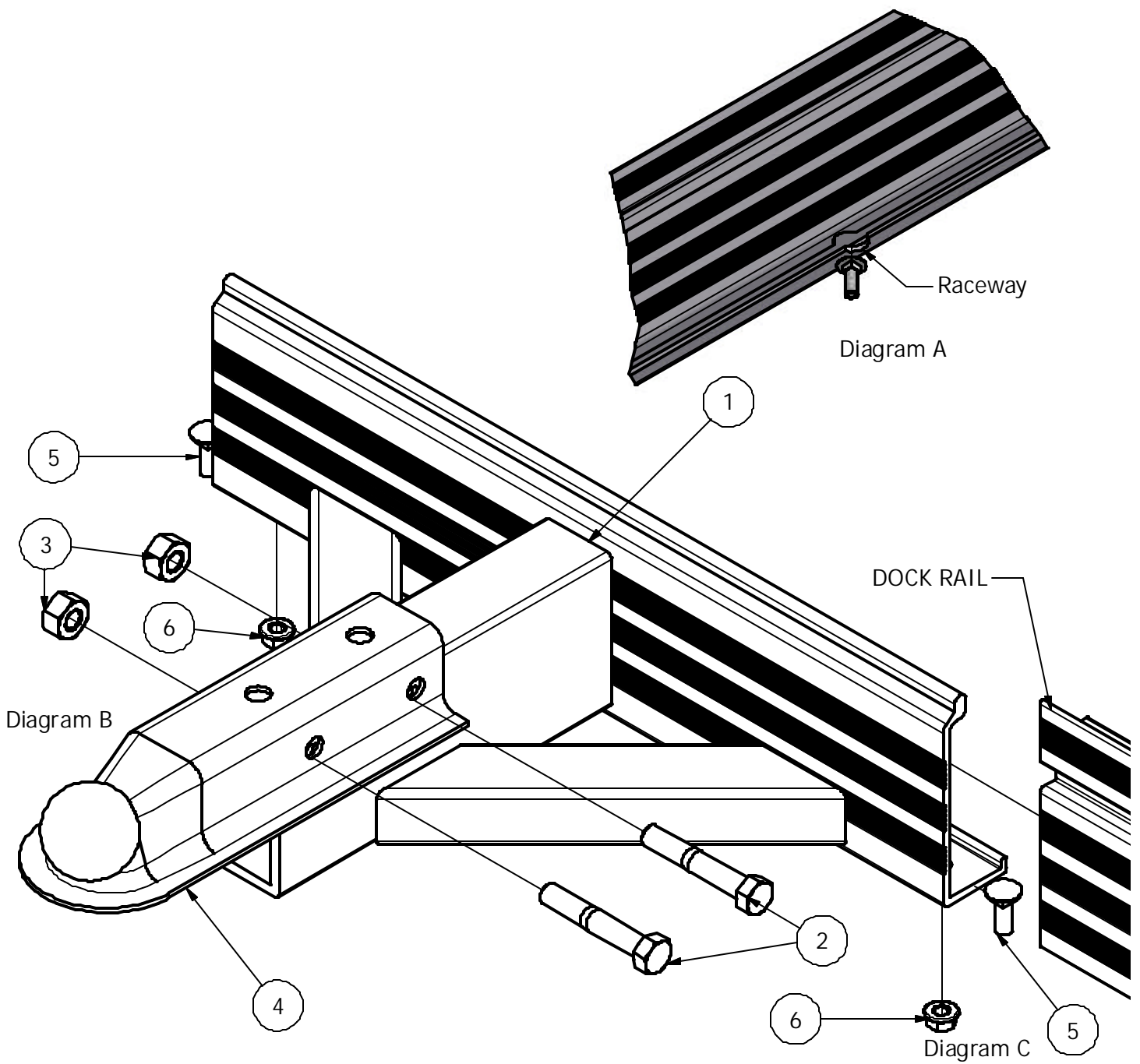


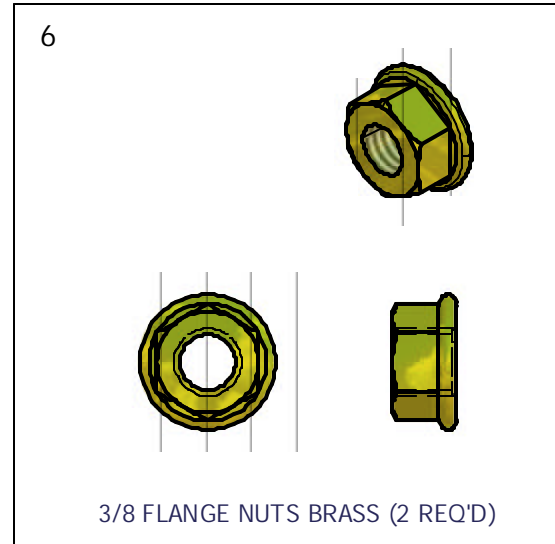
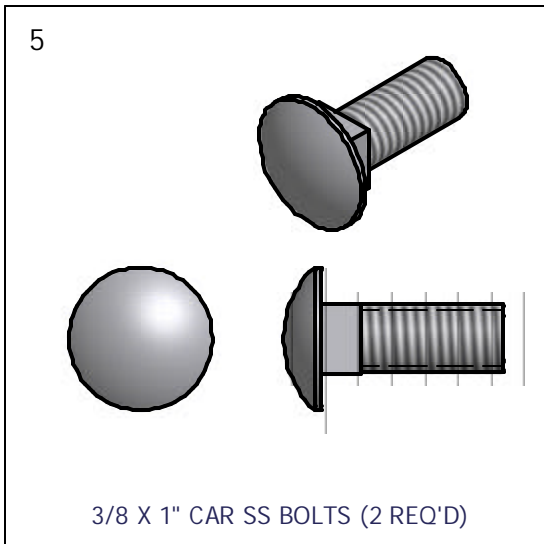
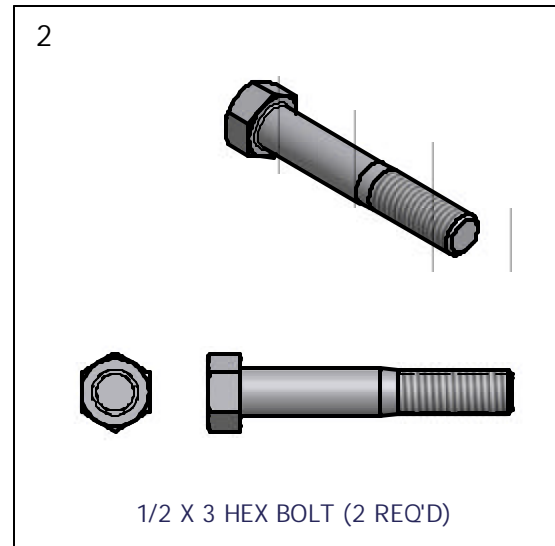
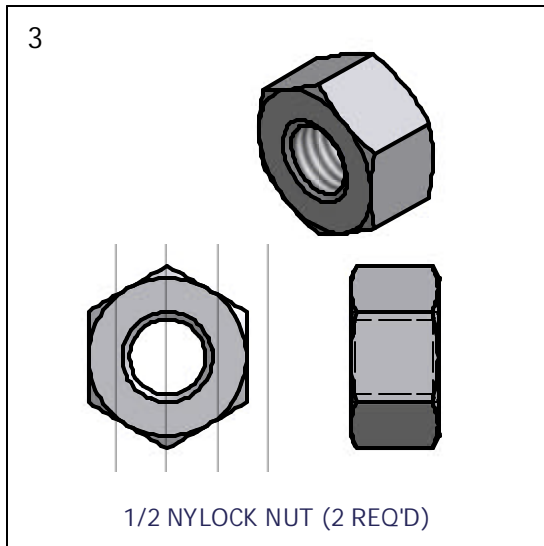


VM-043-A ALUMINUM TOW HITCH





PARTS LIST			
ITEM	QTY	PART NUMBER	DESCRIPTION
1	1	VM-043-A	BRACKET
2	2	HD-00022	.500 X 3 HEX BOLT
3	2	HD-00003	.500 NYLOCK NUT
4	1	HD-00092	COUPLER 2" BALL
5	2	HD-00059	3-8 X 1 SS CAR
6	2	HD-00056	3/8 BRASS FLANGE NUT



Installation Procedure

The following tool will be needed: 9/16" wrench & 2-3/4" wrenches

1. Set coupler onto bracket (**per diagram B**) and put 2-1/2" bolts through coupler and bracket.
2. Thread nylock nuts onto bolts and use 3/4" wrenches to tighten up.
3. insert head of carriage bolts into raceway on the underside of the dock rail on end of dock and slide one towards each side of the dock (**per diagram A**).
4. Hook bracket into dock rail and put carriage bolts into bracket and attach flange nuts (**per diagram C**).
5. Take 9/16 wrench and tighten flange nut.