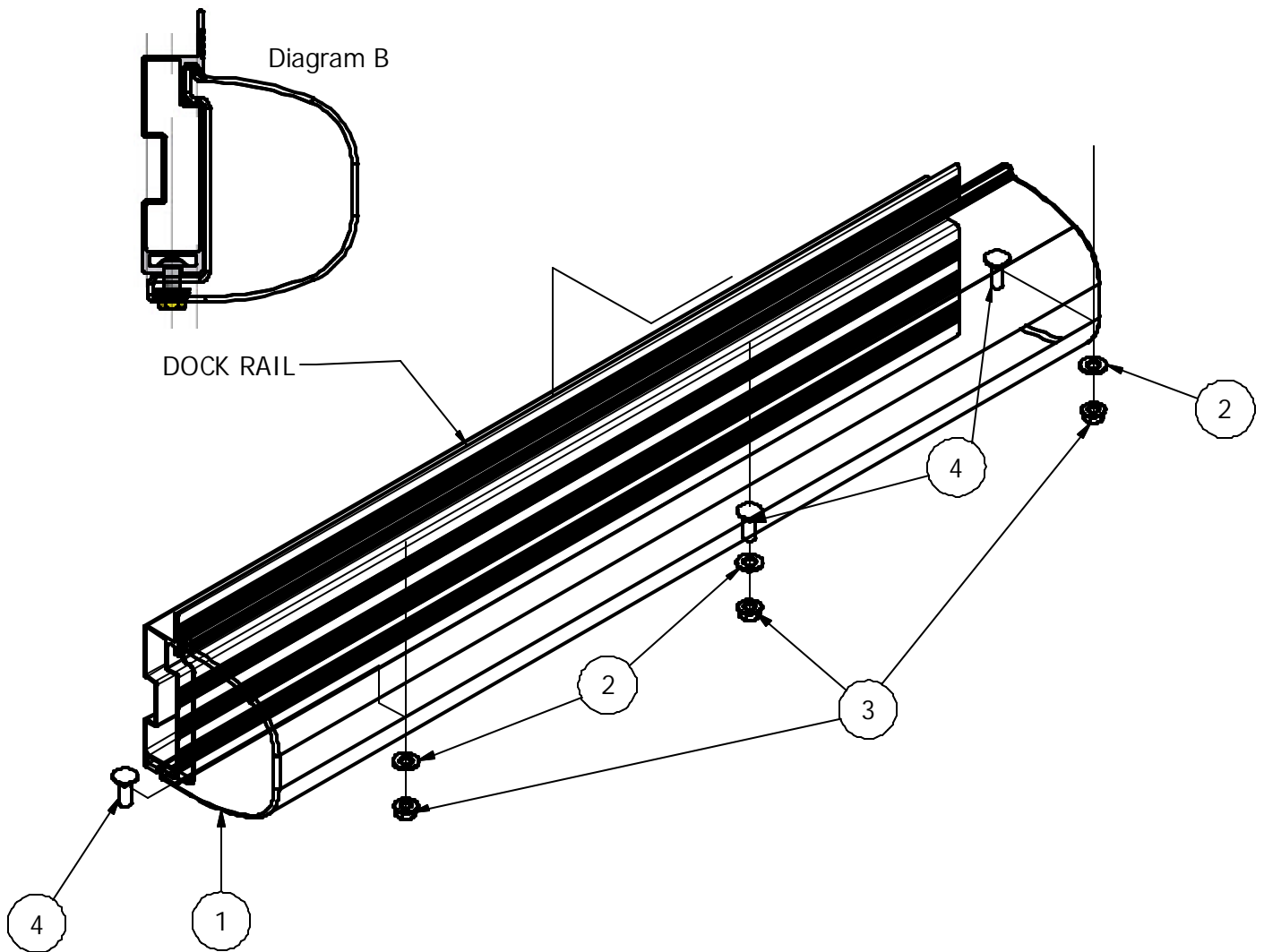
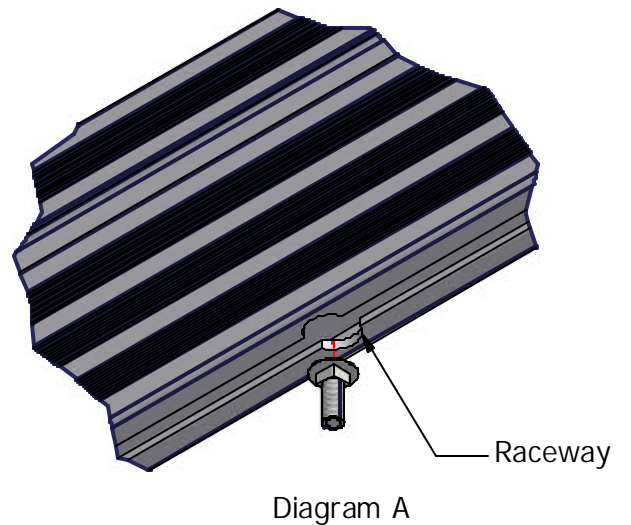
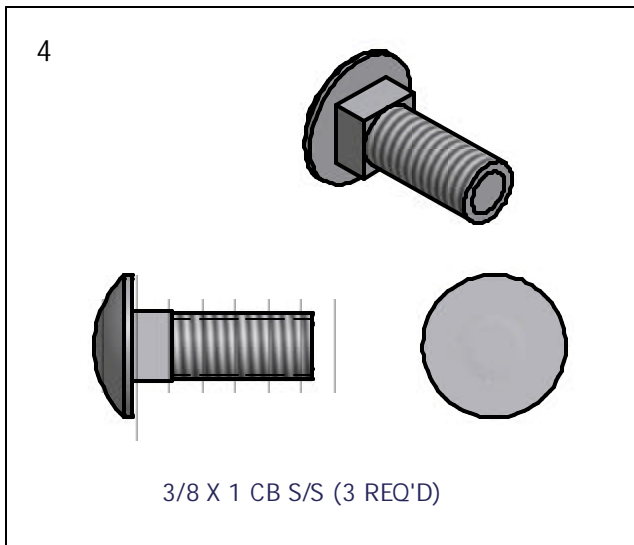
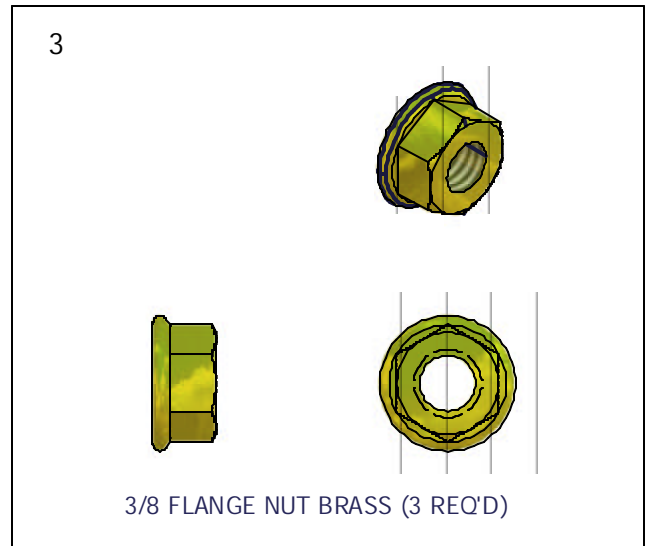
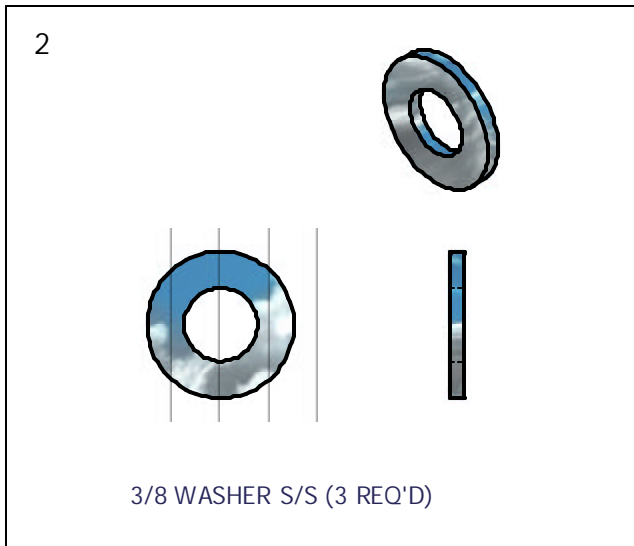




VM-075/VM-093 HORIZONTAL BUMPER



PARTS LIST			
ITEM	QTY	PART NUMBER	DESCRIPTION
1	1	VM-075/VM-093	HORIZONTAL BUMPER
2	3	HD-00108	3/8 X .875 SS FLAT WASHER
3	3	HD-00056	3/8 BRASS FLANGE NUT
4	3	HD-00059	3/8 X 1 SS CAR



Installation procedure

The following tool will be needed: 9/16" wrench

1. Insert head of carriage bolts into raceway on the underside of rail and slide to desired location on dock (**per diagram A**).
2. Slide bumper into dock rail and put carriage bolts into bumper and attach washers and flange nuts (**per diagram B**).
3. Take 9/16 wrench and tighten flange nut.