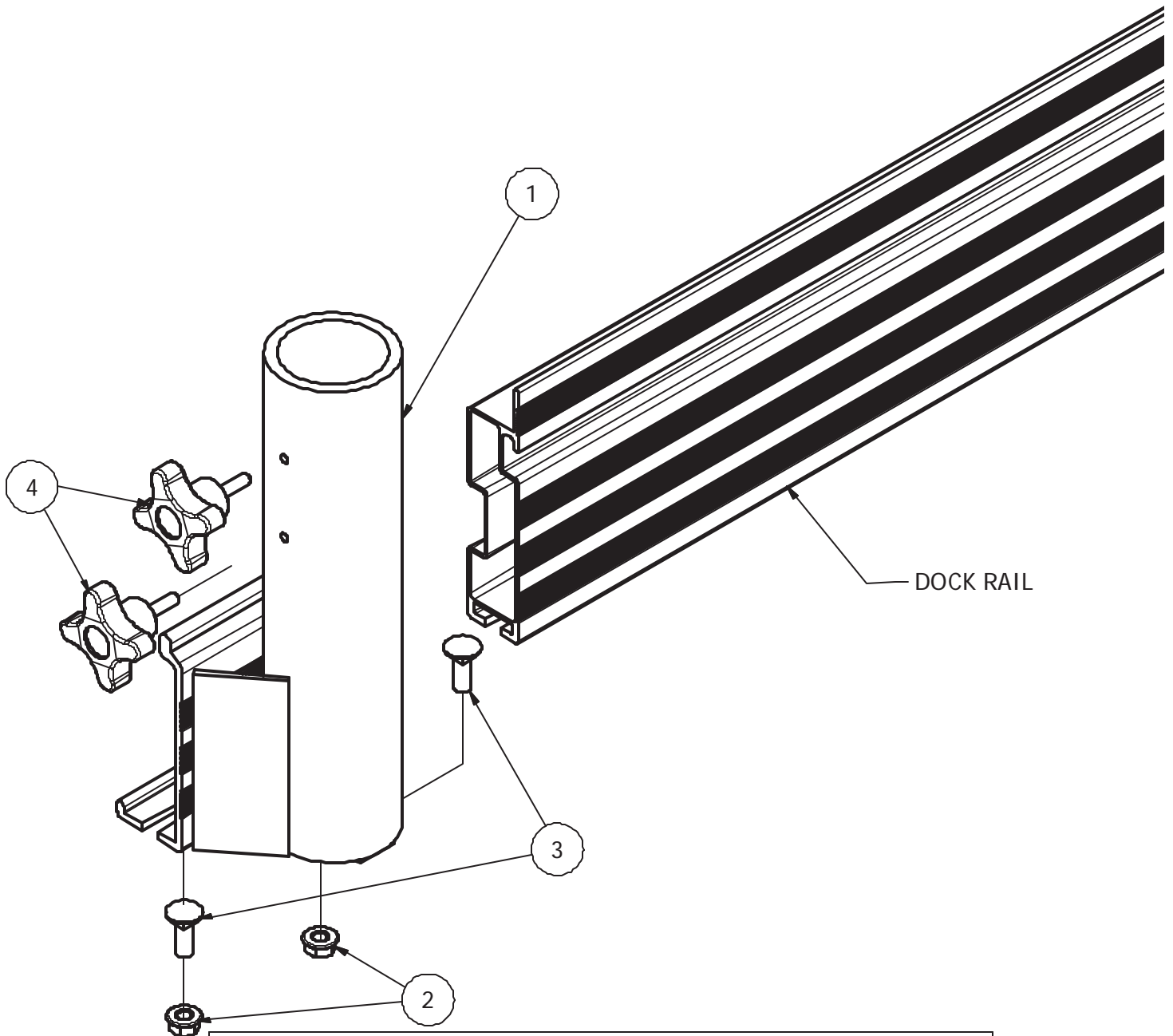
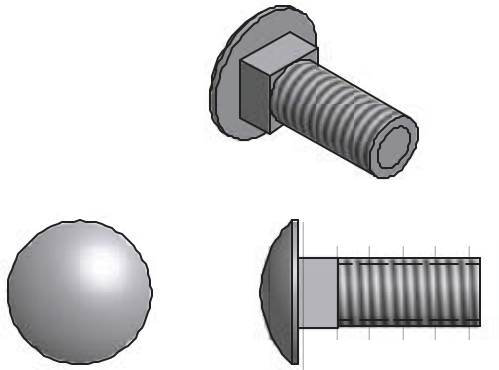


Flag Pole Holder



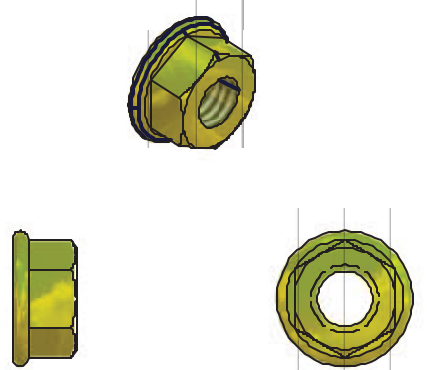
PARTS LIST			
ITEM	QTY	PART NUMBER	DESCRIPTION
1	1	VM-041-00 A	FLAG POLE HOLDER
2	2	HD-00172	SS THUMBSCREW
3	2	HD-00056	3/8 BRASS FLANGE NUT
4	2	HD-00059	3/8 X 1 SS CAR

4



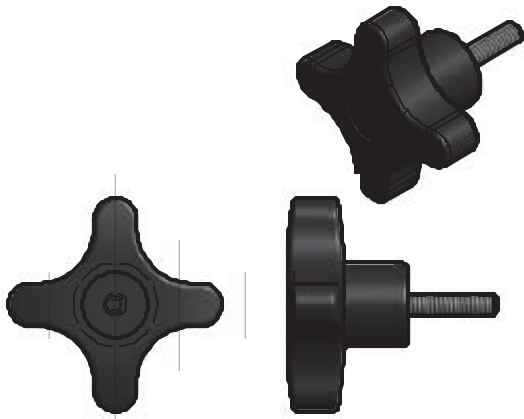
3/8 X 1 S.S. CARRIDGE BOLT (2 REQ'D)

3



3/8 FLANGE NUT BRASS (2 REQ'D)

2



1/4 20 SS THUMB SCREW (2 REQ'D)

To insure your safety while assembling your Voyager product:

- Fully read and understand the assembly instructions
- Do not assemble this product if items are missing or damaged
- Wear protective gloves, clothing and eye wear when assembling this product

Installation procedure

The following tool will be needed: 9/16" wrench

1. Insert head of carriage bolts into raceway on the underside of the rail and slide to desired location on dock. **Per diagram A.**
2. Slide bracket into dock rail and put carriage bolts into bracket and attach flange nuts. **Per diagram B.**
3. Take 9/16" wrench and tighten flange nut.
4. Thread thumb screws into flag pole holder bracket (don't thread all the way in at this time)
5. Slide flag pole into bracket and tighten up thumb screws. **

****if using a flag pole from Voyager Supply a plastic liner is supplied, liner may need to be trimmed to fit before installing into bracket, flag pole can then be set into place and thumb screws tightened.**

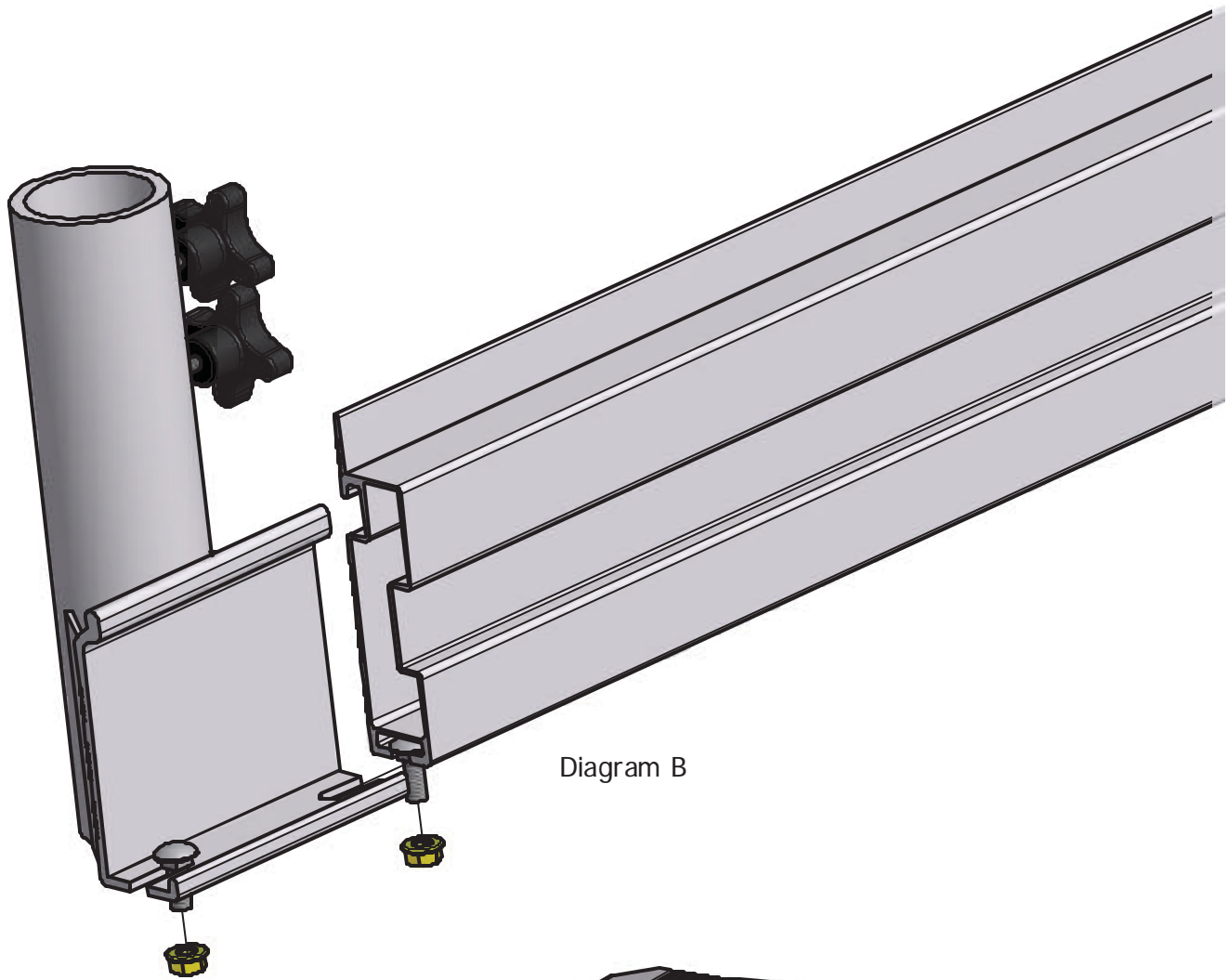


Diagram B

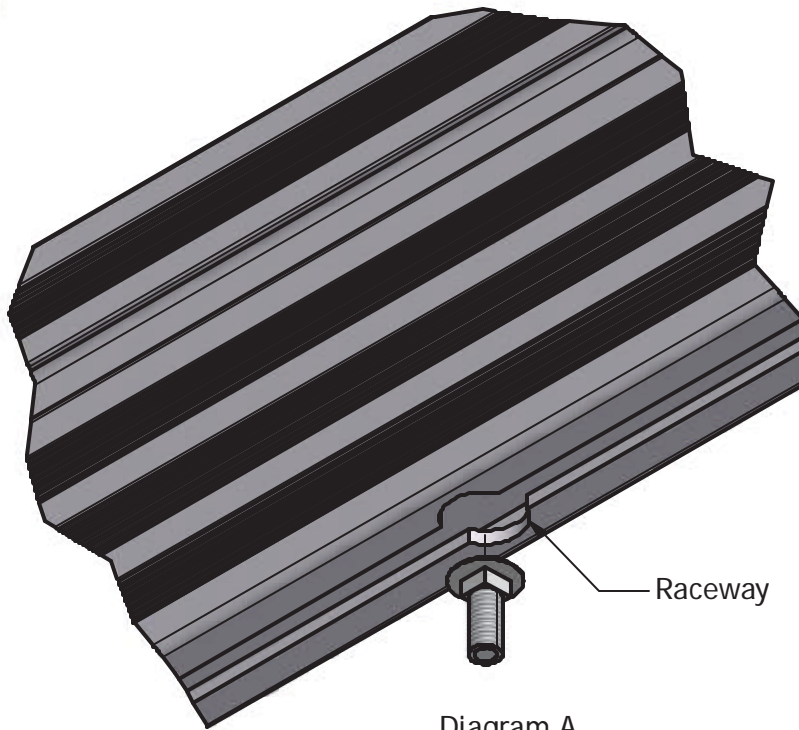


Diagram A