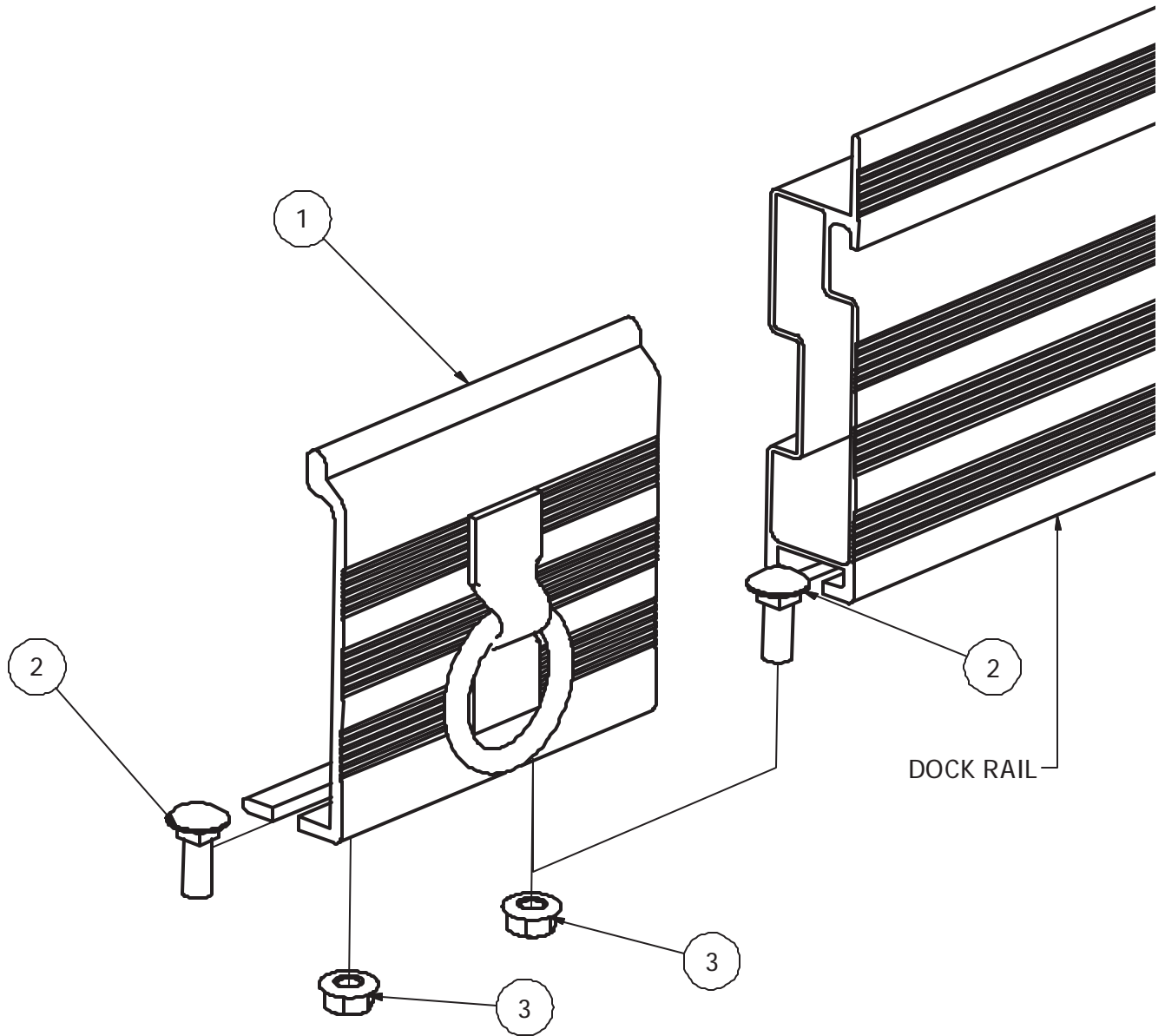


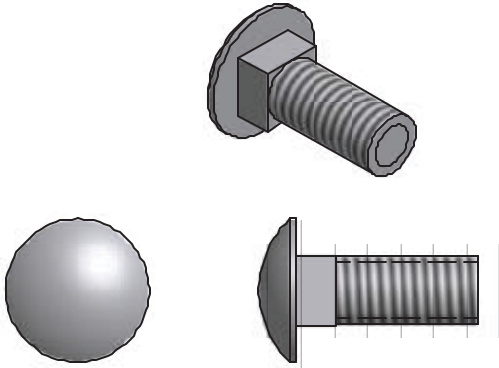


Mooring Ring



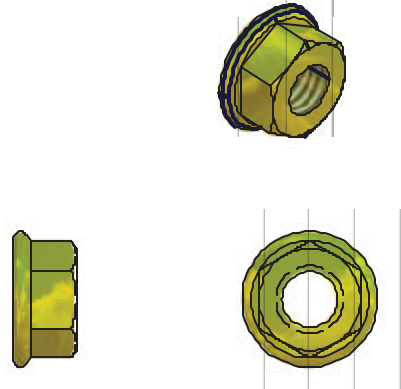
PARTS LIST			
ITEM	QTY	PART NUMBER	DESCRIPTION
1	1	VM-012-A	MOORING RING
2	2	HD-00059	3-8 X 1 SS CAR
3	2	HD-00056	3/8 BRASS FLANGE NUT

2

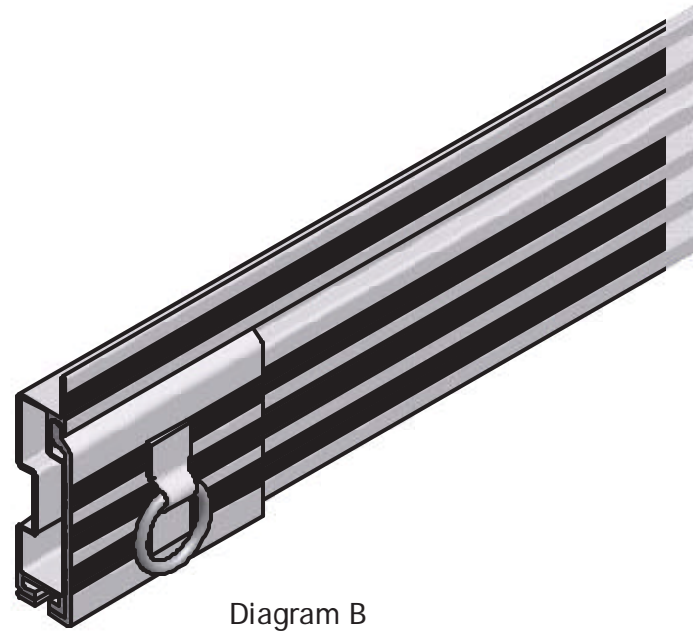
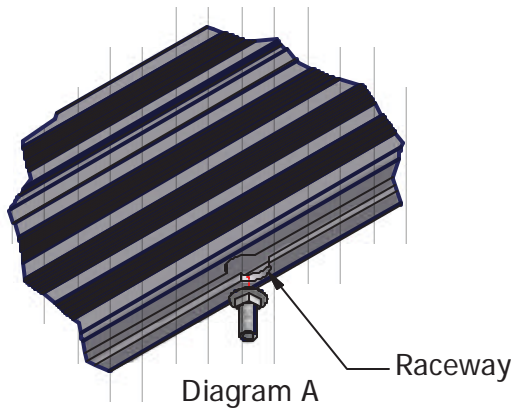


3/8 X 1 S.S. CARRIDGE BOLT (2 REQ'D)

3



3/8 FLANGE NUT BRASS (2 REQ'D)



To insure your safety while assembling your Voyager product:

- Fully read and understand the assembly instructions
- Do not assemble this product if items are missing or damaged
- Wear protective gloves, clothing and eye wear when assembling this product

Installation procedure

The following tool will be needed: 9/16" wrench

1. Insert head of carriage bolt into raceway on the underside of dock rail and slide to desired location on dock. **Per diagram A.**
2. Slide bracket into dock rail, put carriage bolts into bracket and attach flange nuts. **Per diagram B.**
3. Take 9/16" wrench and tighten flange nuts.