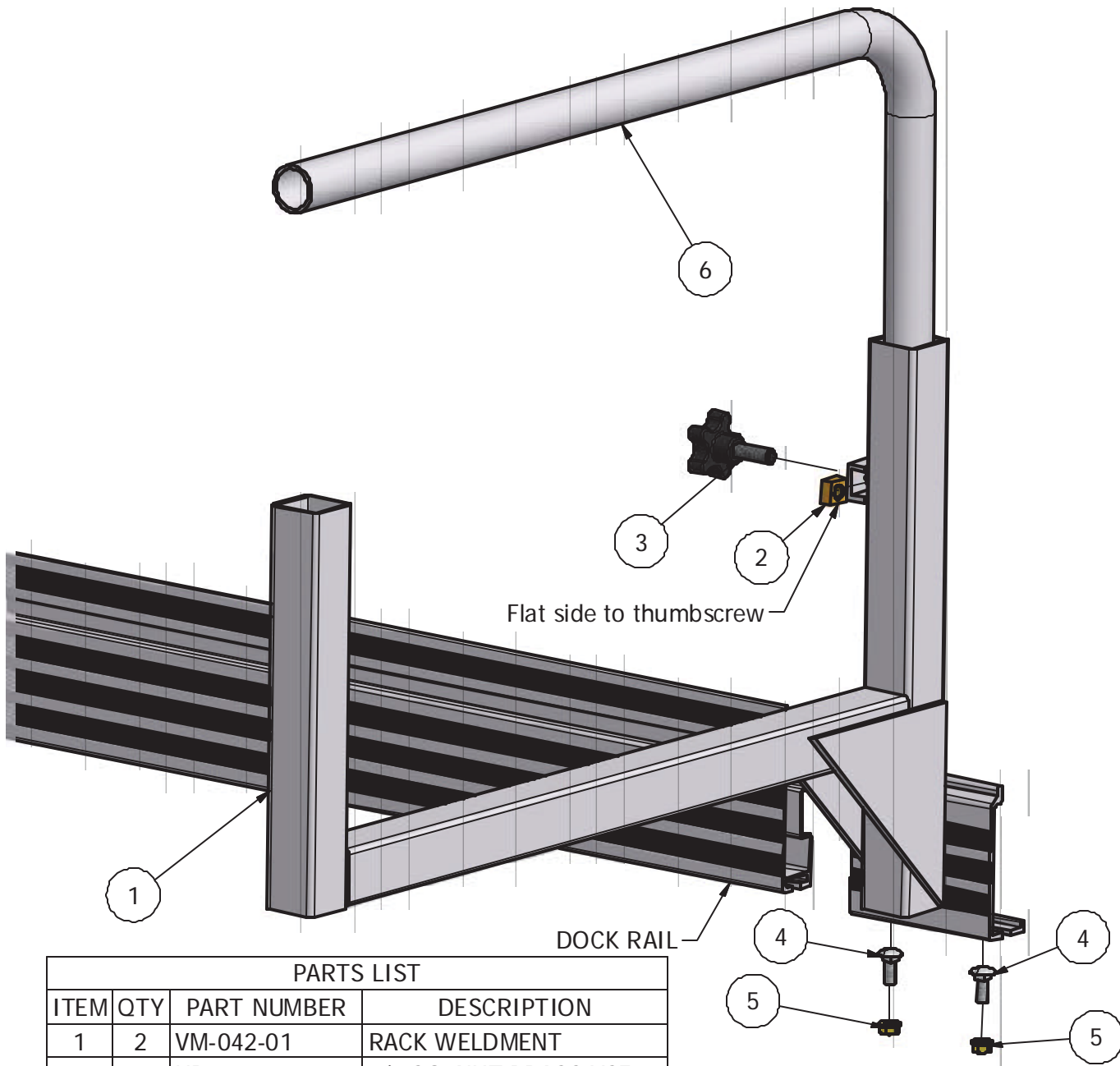
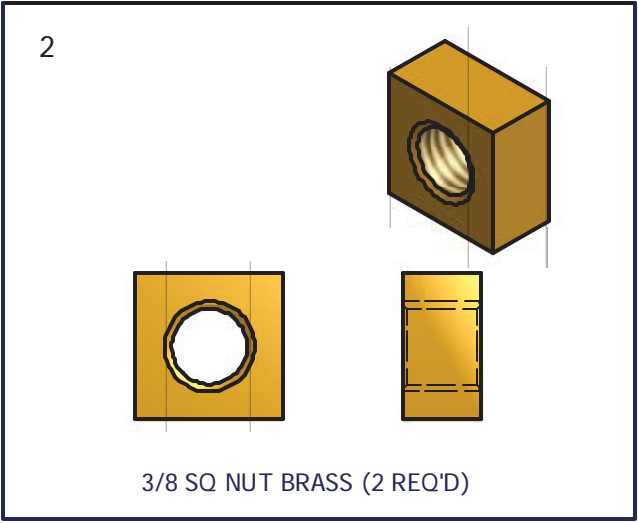
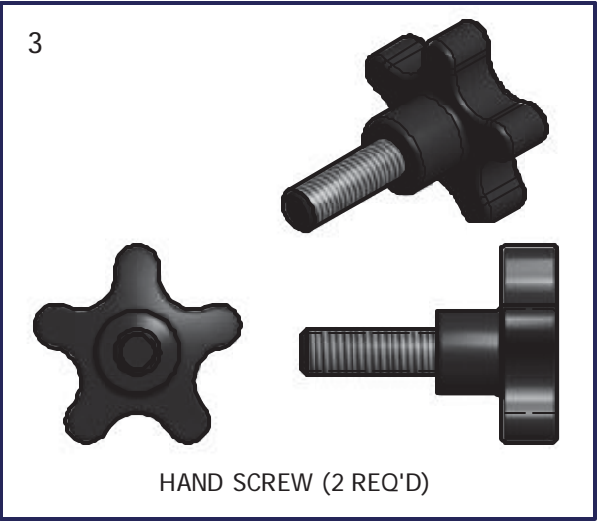
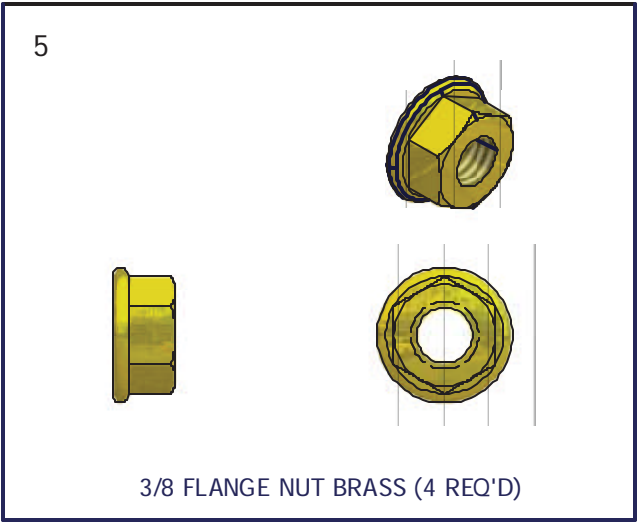
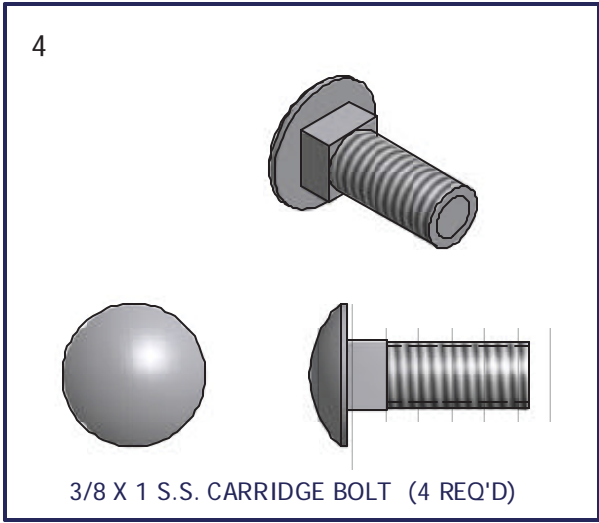


Canoe Rack



PARTS LIST

ITEM	QTY	PART NUMBER	DESCRIPTION
1	2	VM-042-01	RACK WELDMENT
2	2	HD-00058	1/2 SQ_NUT BRASS VSF
3	2	HD-00159	5 PRONG KNOB
4	4	HD-00059	3/8 X 1 CAR
5	4	HD-00056	3/8 BRASS FLANGE NUT
6	2	VM-042-02	HOLDDOWN ARM



To insure your safety while assembling your Voyager product:

- Fully read and understand the assembly instructions
- Do not assemble this product if items are missing or damaged
- Wear protective gloves, clothing and eye wear when assembling this product

Installation procedure

The following tool will be needed: 9/16" wrench

1. Insert head of carriage bolts into raceway on the underside of the rail and slide to desired location on dock. **Per diagram A**
2. Slide rack into dock rail and put carriage bolts into bracket and attach flange nuts. **Per diagram B.**
3. Take 9/16" wrench and tighten flange nut.
4. Slide hold down arm into rack, have arm turned to run in line with dock (until canoe/kayak is put in place). **Per diagram C ****
5. Insert ½" sq nut into channel on bracket and thread 5 prong knob into nut, leave loose at this time.
6. Repeat steps 1-5 for other bracket.
7. Put canoe in place, turn hold down arm over canoe, slide down to canoe/kayak and tighten up prong knob (do not over tighten).

****for added protection of your canoe/kayak you could use a pc of foam pipe insulation or carpet on hold down bar and rack, not supplied.**

