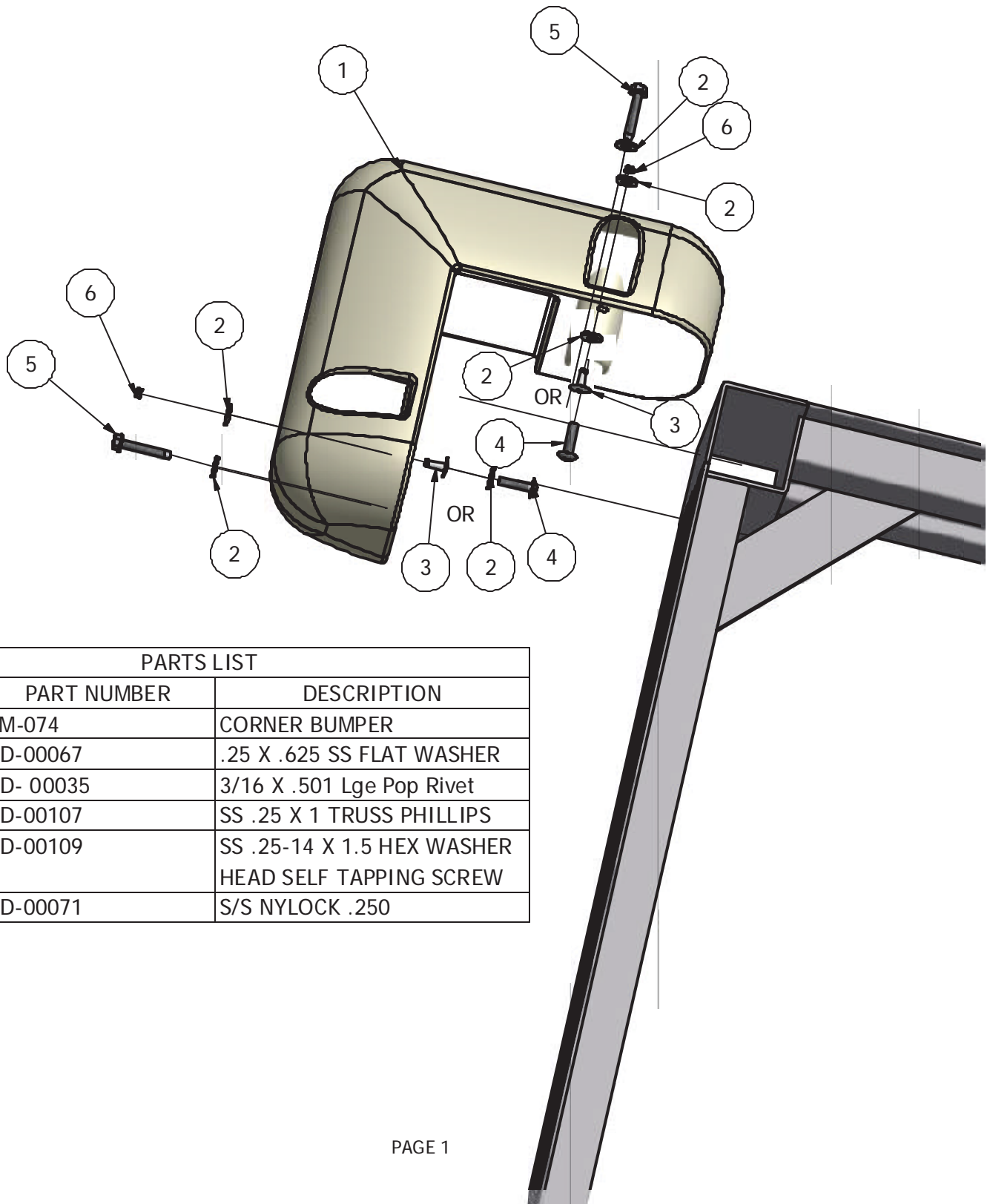


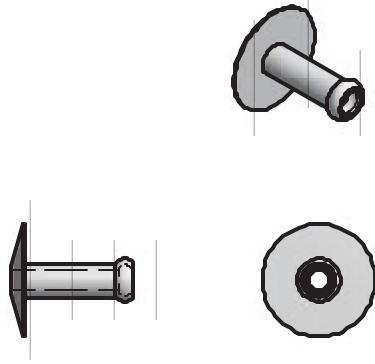
## Corner Bumper



### PARTS LIST

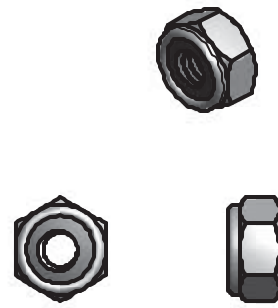
ITEM	QTY	PART NUMBER	DESCRIPTION
1	1	VM-074	CORNER BUMPER
2	6	HD-00067	.25 X .625 SS FLAT WASHER
3	2	HD- 00035	3/16 X .501 Lge Pop Rivet
4	2	HD-00107	SS .25 X 1 TRUSS PHILLIPS
5	2	HD-00109	SS .25-14 X 1.5 HEX WASHER HEAD SELF TAPPING SCREW
6	2	HD-00071	S/S NYLOCK .250

3



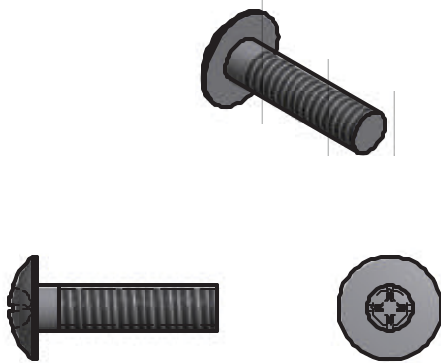
3/16 POP RIVET .375 50 GRIP (2 REQ'D)

6



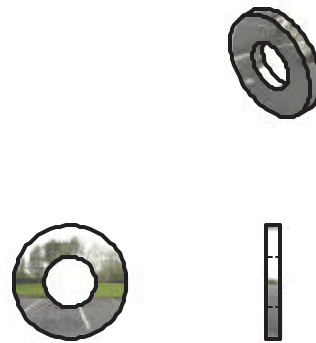
1/4 NYLOCK SS (2 REQ'D)

4



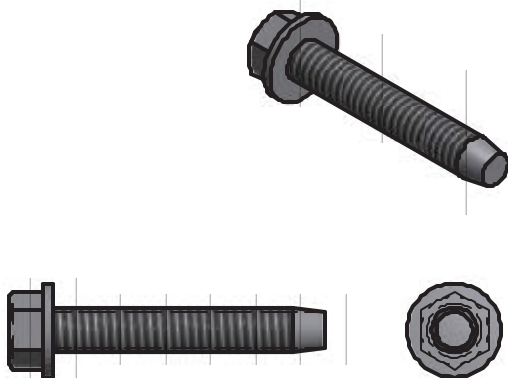
1/4 X 1 TRUSS PHILLIPS SS (2 REQ'D)

2



1/4 WASHER FLAT SS (6 REQ'D)

5



25-14 X 1.5 HEX WASHER HEAD SS (2 REQ'D)

**To insure your safety while assembling your Voyager product:**

- Fully read and understand the assembly instructions
- Do not assemble this product if items are missing or damaged
- Wear protective gloves, clothing and eye wear when assembling this product

**Installation procedure**

The following tools will be needed: 2-7/16" wrenches,drill,17/64" drill bit,(3/8" ratchet,3/8" extension,3/8" socket & 1/8" drill bit when using self tapping screws on top) or (rivet gun & 13/64" drill bit when using rivets on top),Phillips screwdriver.

1. Hold bumper up to corner of dock to desired location and mark holes for fasteners.
2. Drill with 17/64" bit and drill bottom 2 holes for 1/4" bolts.
3. Drill top holes with either 1/8" or 13/64" bit depending on type of fasteners used.
4. Put 1/4" bolts & washers into bottom holes & put washer and nut on.
5. Put screws or rivets in top holes and fasten.
6. Tighten bottom bolts up with 7/16" wrenches.